

# Smart String Inverter (SUN2000-17/20KTL)



## Smart

- 3 MPPTs for versatile adaptations to different module types or quantities built up with different alignments
- 6 strings intelligent monitoring and fast trouble-shooting
- RS485 and USB ports for connectivity and data management
- Local graphic LCD display and remote monitoring

## Efficient

- Max. efficiency 98.6%, European efficiency 98.3%
- Easy to install with the weight of 50kg

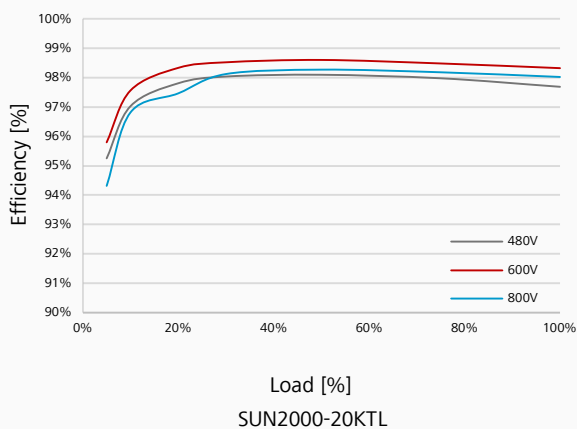
## Safe

- DC disconnect integrated, safe and convenient for maintenance
- Type II surge arresters for both DC and AC
- Ground fault protection
- Residual Current Monitoring Unit (RCMU) integrated inside

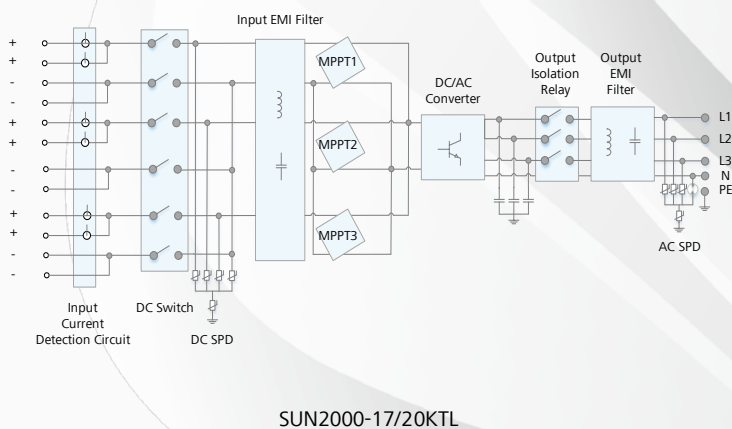
## Reliable

- No need for external fans with natural cooling technology
- Protection rating of IP65

### Efficiency Curve



### Circuit Diagram



# Smart String Inverter (SUN2000-17/20KTL)



Technical Specifications	SUN2000-17KTL	SUN2000-20KTL
<b>Efficiency</b>		
Max. Efficiency	98.6%	98.6%
European Efficiency	98.3%	98.3%
<b>Input</b>		
Max. DC Usable Power	19,100 W	22,500 W
Max. Input Voltage	1,000 V	1,000 V
Max. Current per MPPT	18 A	18 A
Max. Short Circuit Current per MPPT	25 A	25 A
Min. Operating Voltage / Start Input Voltage	200 V / 250 V	200 V / 250 V
Full Power MPPT Voltage Range	400 V ~ 800 V	480 V ~ 800 V
MPPT Operating Voltage Range	200 V ~ 950 V	200 V ~ 950 V
Rated Input Voltage	620 V	620 V
Max. Number of Inputs	6	6
Number of MPP Trackers	3	3
<b>Output</b>		
Rated AC Active Power	17,000 W	20,000 W
Max. AC Apparent Power	18,700 VA	22,000 VA
Max. AC Active Power (cosφ=1)	18,700 W	22,000 W
Rated Output Voltage	220V / 380V, 230V / 400V, 3W+N+PE	220V / 380V, 230V / 400V, 3W+N+PE
Rated AC Grid Frequency	50 Hz / 60 Hz	50 Hz / 60 Hz
Max. Output Current	28.4 A	33.4 A
Adjustable Power Factor	0.8 LG ... 0.8 LD	0.8 LG ... 0.8 LD
Max. Total Harmonic Distortion	< 3%	< 3%
<b>Protection</b>		
Input-side Disconnection Device	Yes	Yes
Anti-Islanding Protection	Yes	Yes
AC Overcurrent Protection	Yes	Yes
DC Reverse-Polarity Protection	Yes	Yes
PV-array String Fault Monitoring	Yes	Yes
DC Surge Arrester	Type II	Type II
AC Surge Arrester	Type II	Type II
Insulation Detection	Yes	Yes
Residual Current Monitoring Unit	Yes	Yes
<b>Communication</b>		
Display	Graphic LCD	Graphic LCD
RS485	Yes	Yes
USB	Yes	Yes
<b>General</b>		
Dimensions ( W×H×D, with mounting bracket )	520 x 610 x 266 mm (20.5 x 24.0 x 10.5 inches)	520 x 610 x 266 mm (20.5 x 24.0 x 10.5 inches)
Weight	49 kg (108.0 lb.), without mounting bracket 50 kg (110.2 lb.), with mounting bracket	49 kg (108.0 lb.), without mounting bracket 50 kg (110.2 lb.), with mounting bracket
Operation Temperature Range	-25 °C ~ 60 °C (-13°F ~ 140°F)	-25 °C ~ 60 °C (-13°F ~ 140°F)
Cooling	Natural Convection	Natural Convection
Max. Operating Altitude	3,000 m (9,842 ft.)	3,000 m (9,842 ft.)
Relative Humidity	0~100%	0~100%
DC Connector	Amphenol H4	Amphenol H4
AC Connector	Amphenol C16/3	Amphenol C16/3
Protection Rating	IP65	IP65
Topology	Transformerless	Transformerless
<b>Standards Compliance</b>		
Safety	EN/IEC 62109-1, EN/IEC 62109-2	
Grid Code	IEC 61727, IEC 62116, NB/T 32004-2013, VDE-AR-N-4105, VDE 0126-1-1, BDEW, G59/3, UTE C 15-712-1, CEI 0-16, CEI 0-21, C10/11, EN 50438-Ireland, EN 50438-Turkey, AS 4777, PEA (Only 20KTL), MEA (Only 20KTL), NRS 097-2-1	